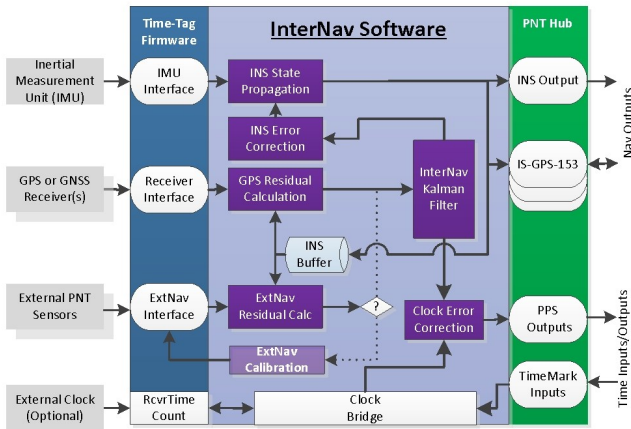
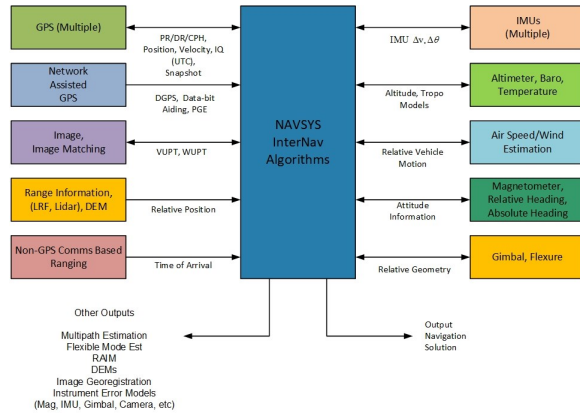


InterNav® Products

InterNav provides an open architecture PNT solution that allows system integrators to select from a suite of sensors to provide updates to the navigation solution using GPS dropouts. This modular navigation system design approach allows selection of the suite of sensors to meet a particular application's performance, size, weight, power, and cost requirements.

InterNav Open Architecture PNT Solution

Open architecture navigation software product for integration of inertial, GPS and other navigation aiding sensors to provide assured positioning navigation and timing

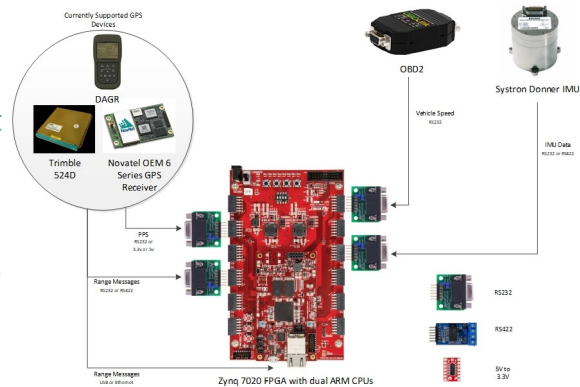


InterNav Software Development Kit

Open architecture software with interface source code and analysis tools for integrating GPS, inertial and other aiding sensors on a VxWorks, Linux or Windows computer.

InterNav System on a Chip Development Kit

Open architecture software and firmware reference design implemented on Xilinx's FPGA/ARM "Zynq SoC" platform with reference design for customers to embed PNT capability into their products using GPS, inertial and other aiding sensors.



InterNav Assured-PNT Kit

Provides a plug and play capability for integration of IMUs, GPS receivers and other PNT aiding sensors using the InterNav SoC software and firmware to develop and test Assured PNT solutions.

position

navigation

timing

InterNav® Products

INTERNAV® PRODUCT SUITE COMPARISON

-- Different Tools For Different Needs --

FEATURES	InterNav Software & Firmware License	InterNav Software Development Kit	InterNav SoC Development Kit	InterNav Assured-PNT Integration Kit	InterNav Assured-PNT Evaluation Kit
NAVSYS C++ Framework for VxWorks, Linux and Windows	✓	✓	✓	✓	✓
InterNav Run-Time License	✓	✓	✓	✓	✓
InterNav Zynq FPGA Firmware Source			✓		✓
Interface source code for NovAel receiver		✓	✓		✓
Interface source code for military receiver (IS-GPS-153)*		✓	✓		✓
Interface source code for IMU message input		✓	✓		✓
Interface source code for PNT inputs and outputs		✓	✓		✓
Example API interface SW and XML configuration files for filter tuning		✓	✓		✓
MATLAB® simulation and file analysis tools		✓	✓		✓
InterNav A-PNT Integration Board				✓	✓
Supported IMUs - (order separately)				✓	✓
Supported GPS (order separately)				✓	✓
80 Hours of Engineering support		✓	✓		✓

For more information about NAVSYS products, please contact: Debbie Westra
E-mail: info@navsys.com Toll free: 866.4.NAVSYS (866.462.8797 x162)



NAVSYS Corporation
14960 Woodcarver Road, Colorado Springs, Colorado 80921
phone 719.481.4877 web site www.navsys.com

position



navigation



timing